

Damper 14"

ASSEMBLING INSTRUCTIONS



Contains:

4 Pcs. Extensions



1 Pcs. 14" FLAP



2 Pcs. Dampers Body



1 Pcs. Motor Plate



TIL Twitoplast Ltd.

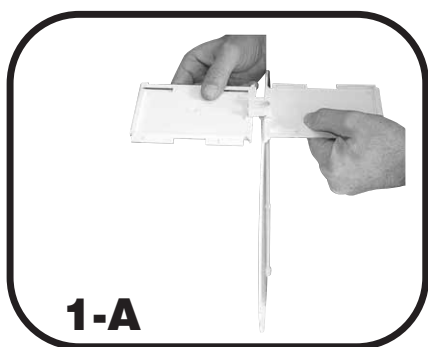
10 Nachshon St. Segula Industrial Zone,
Petach Tikva 49277, ISRAEL
Tel: 972-3-9345888 Fax: 972-3-9042729
e-mail: export@twitoplast.co.il



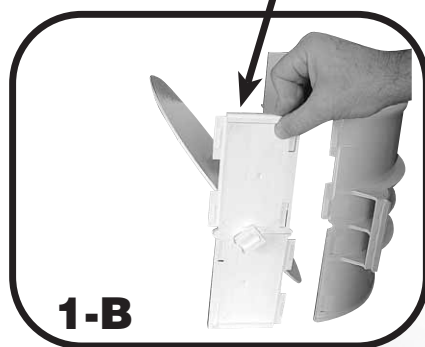
ASSEMBLING PROCEDURE OF THE DAMPER

Step 1

Join 2 Pcs. Of the extension (1-A) to the Flap & connect them together to one half of the Body Damper (1-B) in One side.



Pls. Note this Edge should be Outside



Step 2

Join the 2 other Pcs. Of the extension, into the Flap & connect them together to the opposite side of the Body Damper.



Step 3

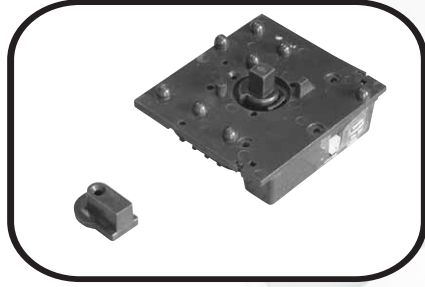
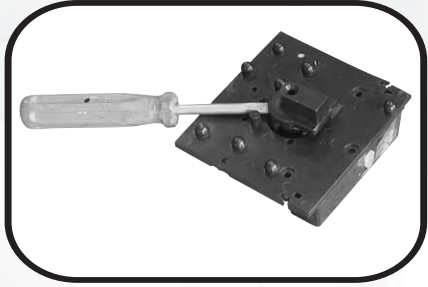
Join the other Pcs. Of the Body Damper.



ASSEMBLING THE P-3 DAMPER MOTOR (included in the Opal Operation Kit)

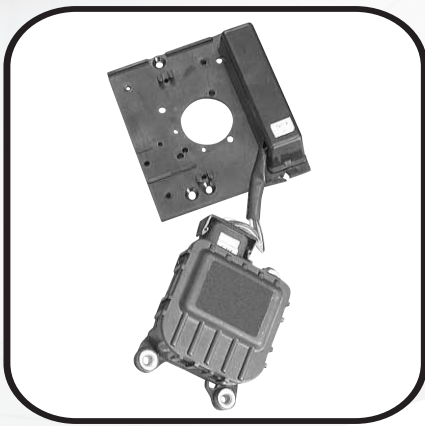
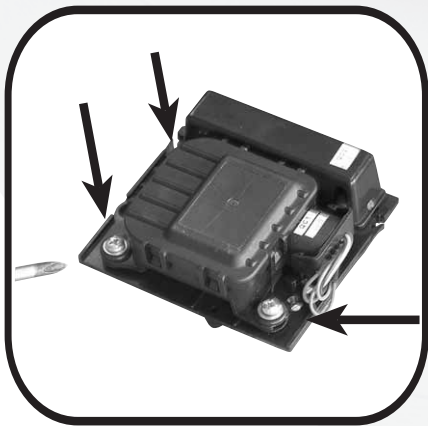
Step 1

Remove the knob by using a screwdriver



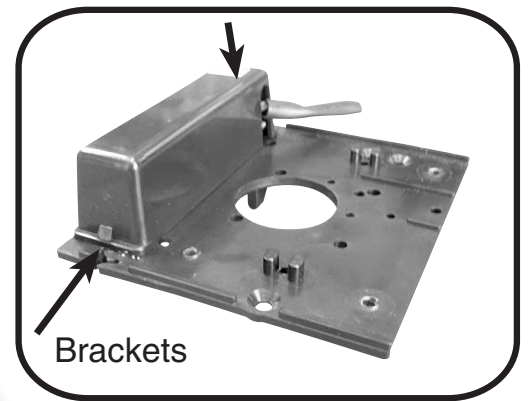
Step 2

Remove the 3 screws that hold the Motor from its Black plastic plate.



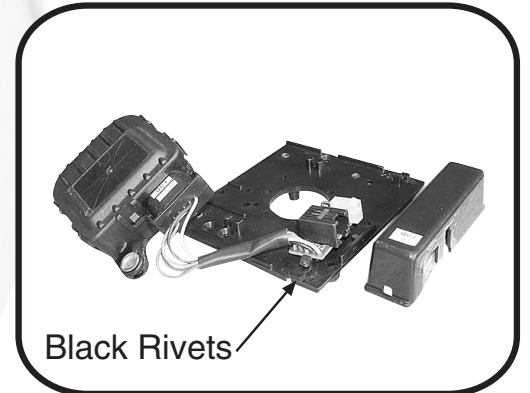
Step 3

Remove the Black Plastic housing of the electronic board, by pushing the Brackets in the 2 sides of the plastic housing.



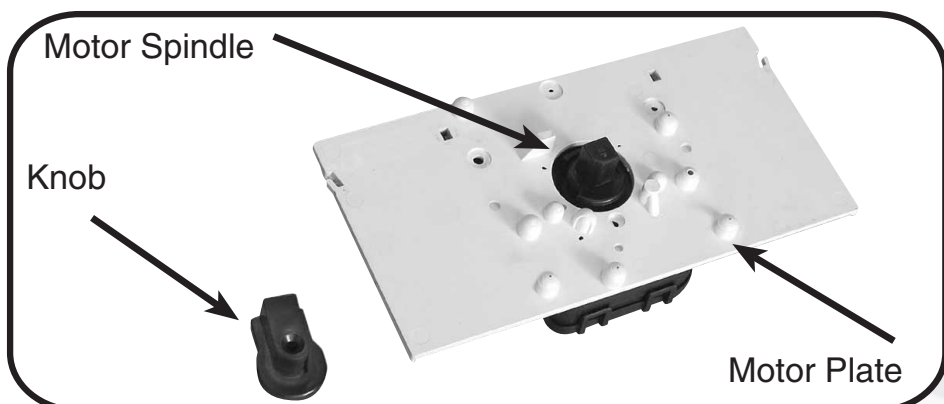
Step 4

Remove the electronic card (carefully) from its rivets, by pushing it up with a screwdriver .



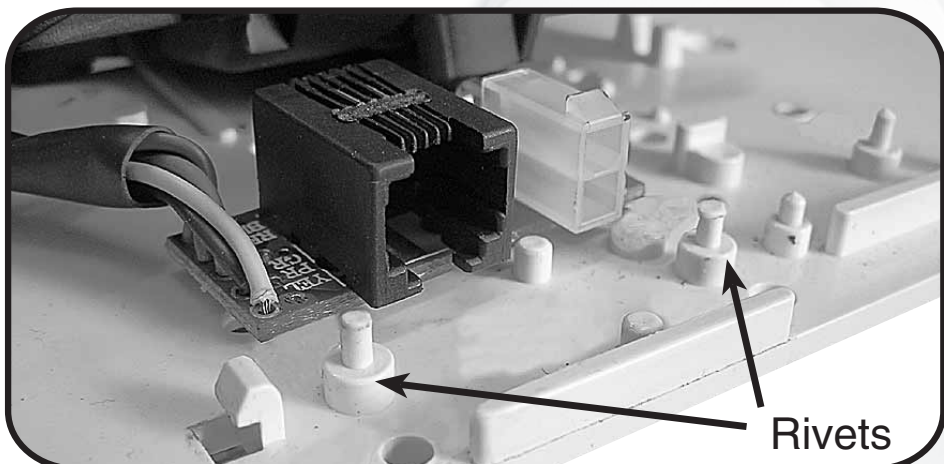
Step 5

Put the Motor into the Motor Plate (white) hole & the Knob to the Motor spindle .



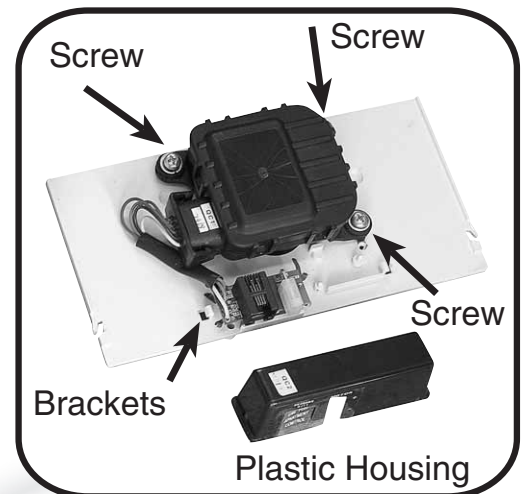
Step 6

Overtured the Motor Plate and put back the electronic board on the the rivets on the Plat.



Step 7

Put back the Black Plastic housing of the electronic board to its place between the 2 Brackets. Assemble the motor with the 3 screws.



Step 8

Insert The Motor Device and Make sure the Damper flap is in closed position.

